

# Install Guide

## VE-VF LS FDFI – LSA Drive Intercooler Reservoir

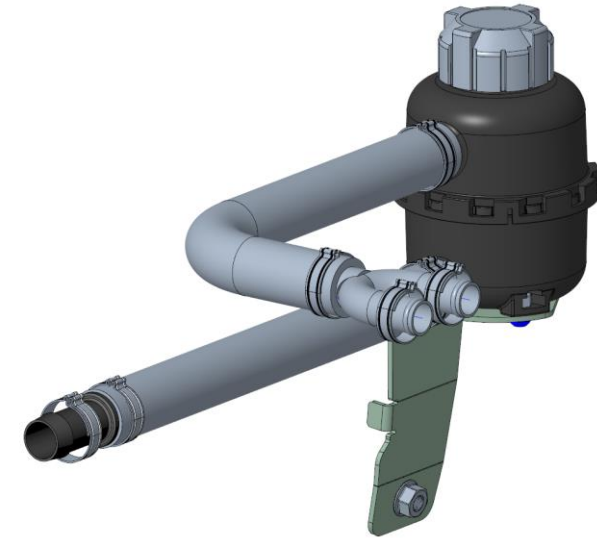


### *Intercooler Reservoir for VE-VF LS FDFI Supercharger using LSA 8PK drive*

*Part number : 99-ARES17026*

#### **Installation –**

- Note - If original FDFI cylinder head mounted reservoir is installed remove before installation
- Mount Reservoir assembly to M8 stud on ABS mount using supplied M8 flange nut



# Install Guide

## VE-VF LS FDFI – LSA Drive Intercooler Reservoir



### Intercooler Reservoir for LS FDFI Supercharger using LSA 8PK drive

- A - Fit supplied Cobra clamp (White strip 25/8) over lower 19mm hose / joiner and connect to low temp radiator return (top hose on radiator). Install Cobra clamp
- B - Fit supplied Cobra clamps (Black strip 22/8) over 16mm intercooler hoses. Connect upper hose / Y fitting to existing top 16mm lines on intercoolers. Install cobra clamps

